

## Usage and attention:

1. After washing hands, place hands under wind outlet about 12cm. The hands dryer will be automatically activated and sent warm wind.
2. Before Using, you should do the best to get rid of water droplets. When drying hands, you should rub hands, which reduces the time of drying hands and saving electricity.
3. The machine is not fitted to dry wet clothes and handkerchief etc.
4. Please retreat the hands when the hand are dried, then it automatically stop working after 3s.
5. When mentally handicapped persons and children use the machine, the guardian must be their side, or it could be dangerous.
6. Do not pull the power lines or cover it with clothing items, in order to avoid fires or other accidents.
7. Please do not use wet hands to plug on or plug off switch and power lines, avoiding electrical shock.

## Maintenance:

1. For shell marks, please cut off power first and use soft cloth dipped neutral detergent to smear and then smear clean. The acid or alkaline detergent in bathroom like benzene, lacquer thinner and abrasives, are absolutely not applied. Moreover, you must not use nylon brush or brush broom to smear the apparatus, in order to avoid scratches and lacerations.
2. During the cleaning, you should prevent the water drop into the machines, in order to avoid electric shock or short circuit.
3. The machine should pull out or shut down power at off duty time, which can long the service life for the machine.
4. It is forbidden to decompose, repair and transform the aircraft without professional persons, or else it might causes electric shock, fire and other accidents.
5. If the machine breaks down, please commission the professional to repair it.
6. If the power soft line is broken, please replace it with special soft line or special components purchased from its manufacturers or repair department.

## Terms of guarantee:

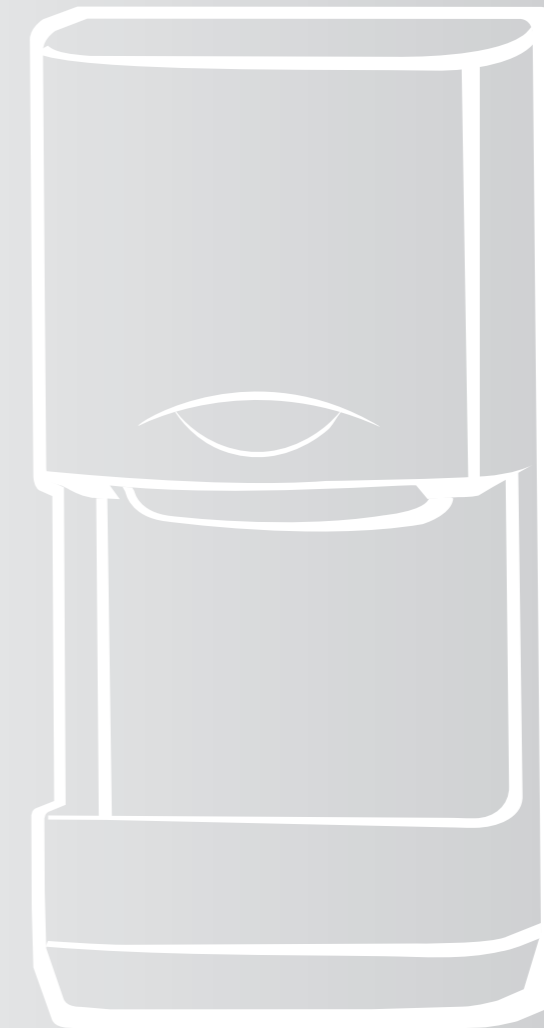
1. The product warranty period is one year.
2. The service within warranty period for products, which came into effect from the date of buying the machine.
3. Within one year after purchasing, consumers find the machine failure caused by the product itself reason, then they can go to the purchasing place to maintenance and replace the machine for free with original invoices and completed and the quality assurance card stamped by dealers.
4. The following are not in the scope of free maintenance :
  - ◇ improper use and the fault caused by demolition, alteration and repair by technical persons without our company authorization.
  - ◇ Fires, earthquakes, thunder and other natural disasters cause faults, and abnormal voltage causes the faults.
  - ◇ The faults caused by non matching power.
  - ◇ The faults caused by long time operation in bad working condition.
  - ◇ Not quality assurance card or the cards is flit not explicitly or correctly.
5. Over warranty period or it is not free maintained products, while our company remains committed to serving you.

Thank you for purchasing the hand dryer, please read this manual before using, and reserve it carefully for your reference when necessary.

# Automatic High-speed Hand Dryer



## Operation Instruction



*Making wind action as you wish,  
it services you with warm wind!*

# User Guide for EcoDryer Compact

## PRODUCT CHARACTERISTICS:

### I. *It is easy to operate and hygienic.*

Equipped with the full automatic infrared sensor, it is convenient to make operation such as starting only by stretching out hands and stopping only by taking back hands, which reduces the consumption of paper. Moreover, it protects people from bug cross infection and recontamination due to its non touching function.

### II. *Intelligent control and more power saving.*

With the advanced infrared reception technology and chip control technology, performance of the machine is more stable and more control precision. Meanwhile, it is forced to shut down to protect the machine by itself after continuous operation for 50s, which avoids misoperation caused by unknown objects covering the inductive head.

### III. *Drying the hands effectively and promptly.*

By using high-speed special motor, to dry the hands promptly and effectively only for 10-15 seconds, where the water reception box with humanized design protects against water dropping upon the ground.

### IV. *Novel, firm and durable.*

Due to the professional design of industry Design Company, it has novel design, smooth lines and beautiful appearance. Applying the sticking film technology and Multicolor matching program makes our products larruping and combines the personalization and fashion trend together perfectly. It is firm, durable and shining due to the imported engineering plastics and metallic paint.

### V. *Safe operation and outstanding performance.*

It effectively prevents the occurrence of accidents due to its functions of over heating protection, over electrical current protection and over time protection. It provides you with strong and centralized wind with comfortable temperature. The PTC heater is applied together with importer temperature controller to effectively ensure the safety.

### VI. *Easy installation, easy maintenance.*

When installing, just disassemble the shell of dryer and fix it with expansion screw. When it is maintaining or repairing, please close the power supply firstly to ensure the safety. The product is suitable for the washing room in airport, starred hotels, high-grade office buildings, restaurant, exhibition hall, gymnasium and other occasions with intense populations.

## Technical Parameters:

Rated Voltage	AC 220-240V	Induction Distance	12±3cm
Rated Frequency	50HZ	Drying Time	10~15s
Input Power	1100W		
Wind Speed	90m/s	Size(mm)	248X190X520
Motor	AC Brush-shape Motor		

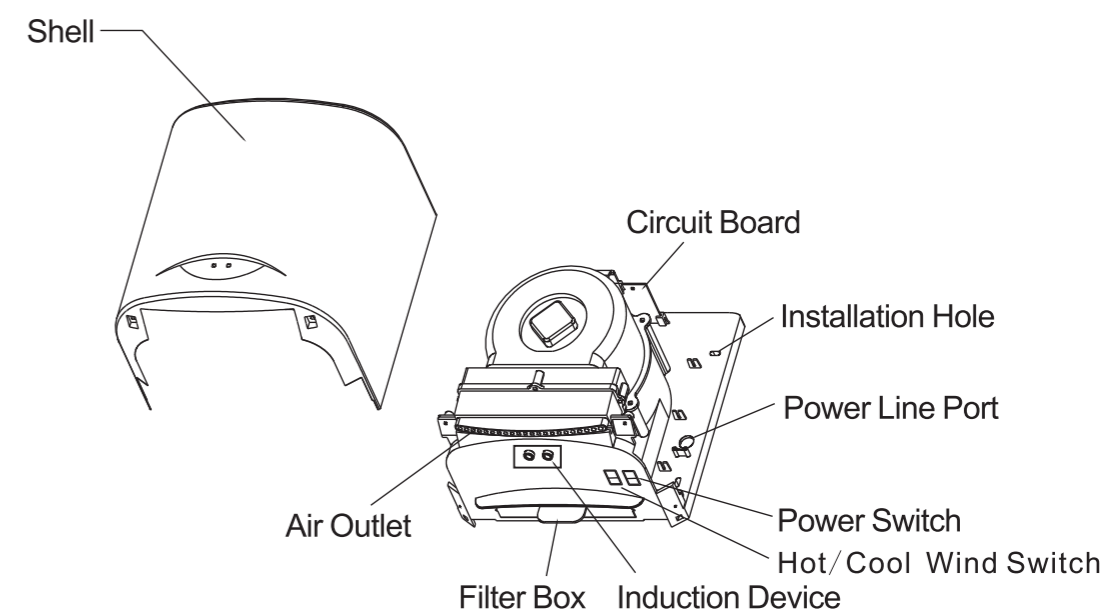
## Warm Warnings:

1. It is forbidden to use your hands or other matter to block up the air outlet, or use extension matter like iron wire to insert the inner through air outlet, so as to avoid electrical shock or failure.
2. When it is maintaining, please not splash the water into the machine, otherwise, the electrical shock or failure will be occurred.
3. It is forbidden to disassemble, repair or reassemble the machine, or place the flammable articles like igniting cigarettes on the product, so as to avoid electrical shock and fire accidents etc..

## Note before installation:

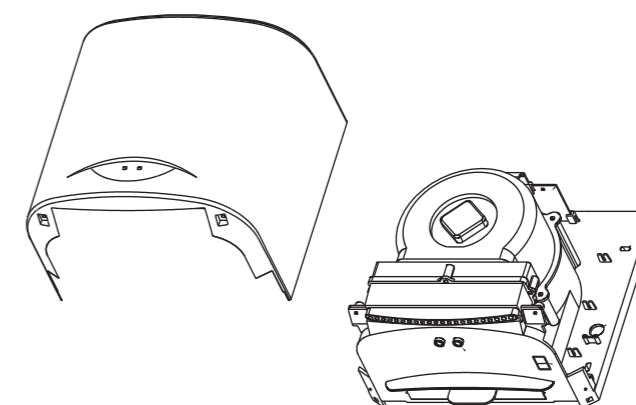
1. Do not fix it in the place with water or water vapor in surface, in order to avoid electric shock.
2. You must commission professional electrician to install power lines, or else it has electric shock hazard.
3. You must cut off power before operation and ensure the protection no power.
4. Please use single-phase power: AC 220V, 50HZ.
5. Requests to install leakage circuit breakers or protection against fire hazards.
6. To ensure that no other things in the outlet around 400mm. Meanwhile, do not install it above the stainless steel or artificial marble such shining surface location, otherwise prone to misoperation.

## Name of Component:



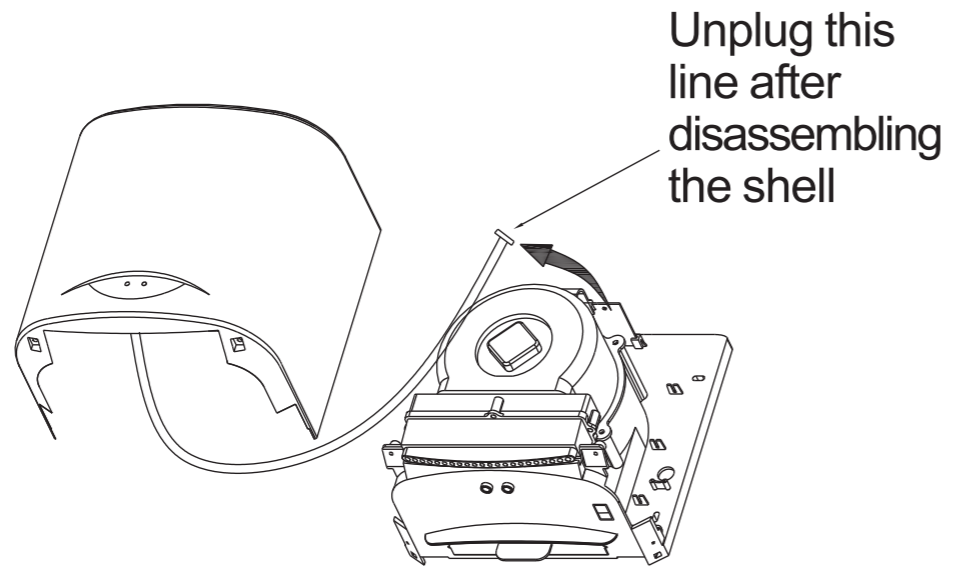
## Method of Installation:

### ① Unbolt the Panel.

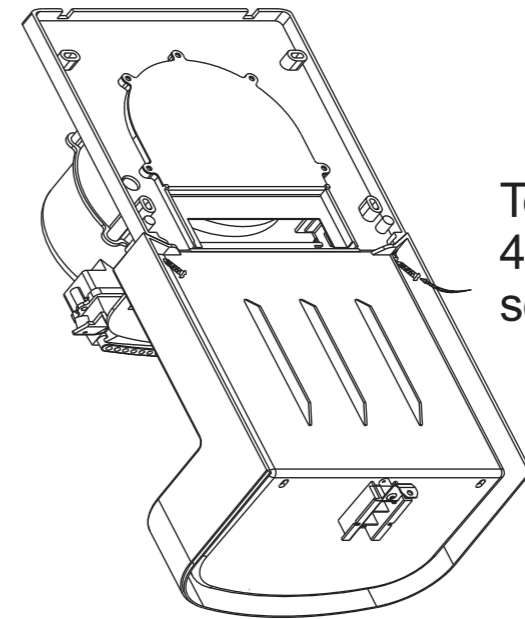


Note: Please operate carefully according to power line indicator on the Panel.

② Unplug the plug pin of indicator power line from circuit board.

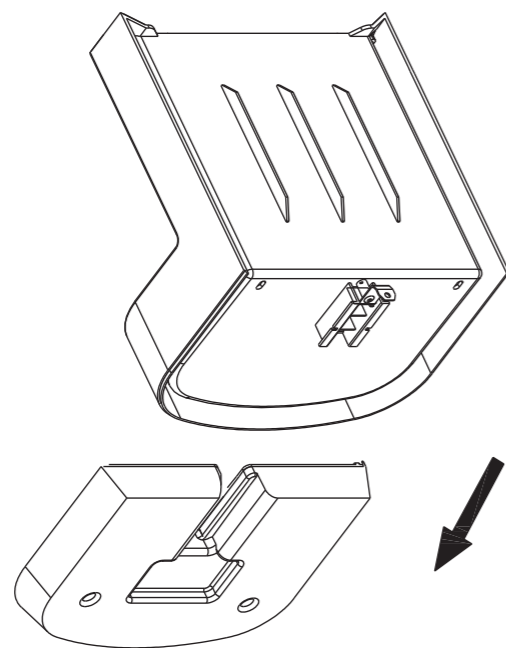


④



Connect the water reception device with main body and fasten with screws.

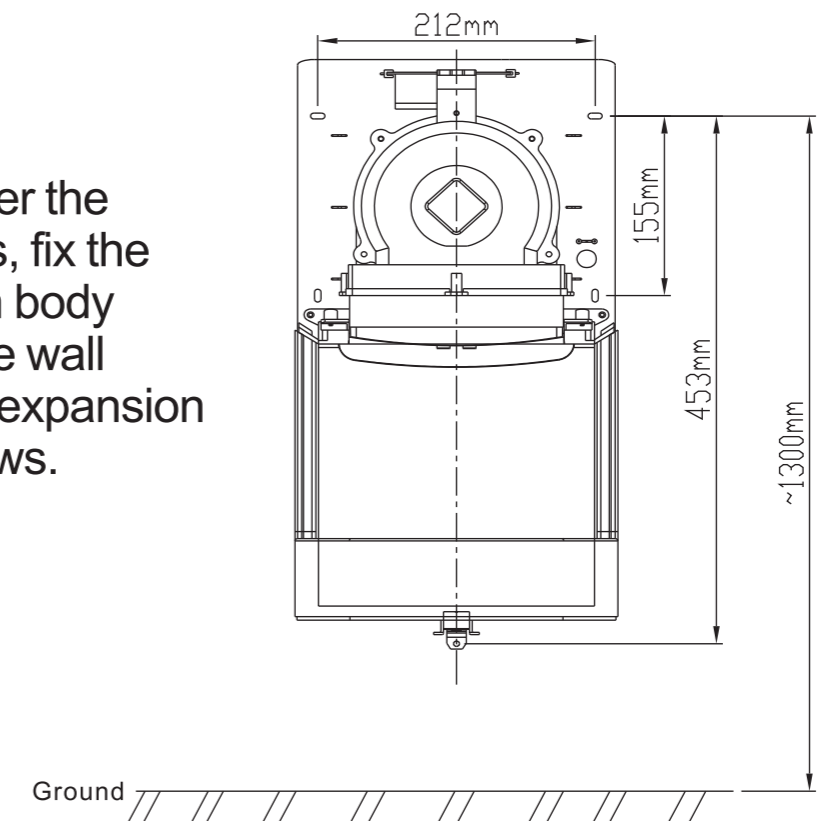
③

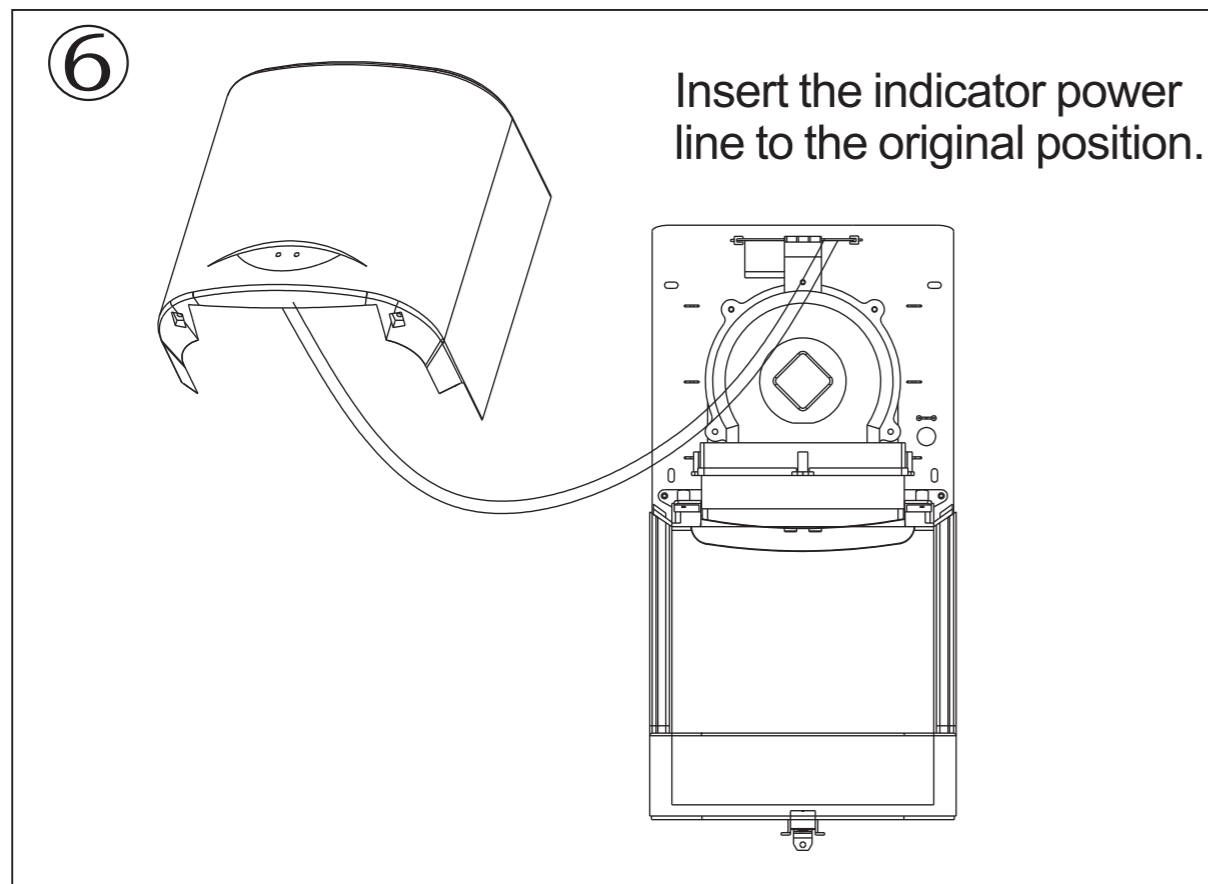


Take out the water reception device, and draw out the bottom reception box.

⑤

As per the sizes, fix the main body to the wall with expansion screws.

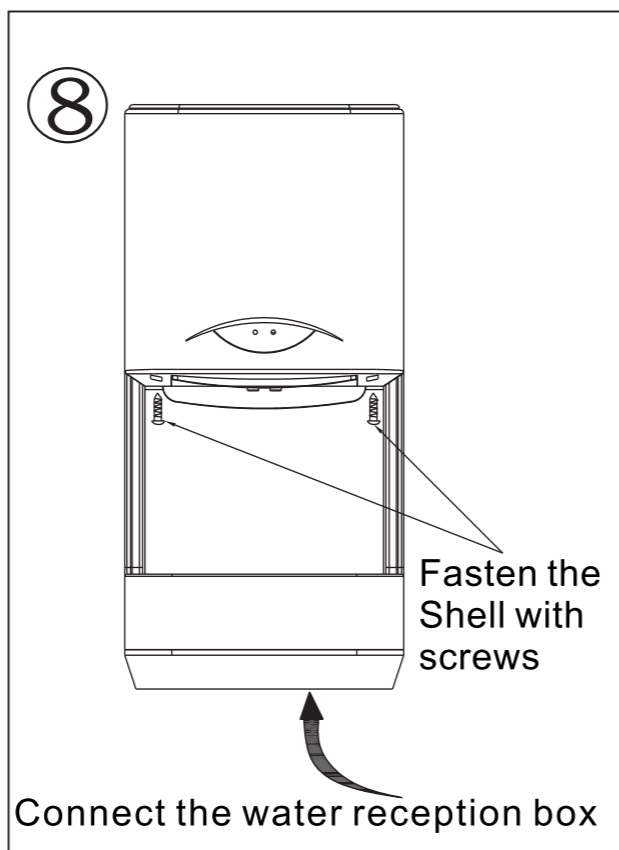
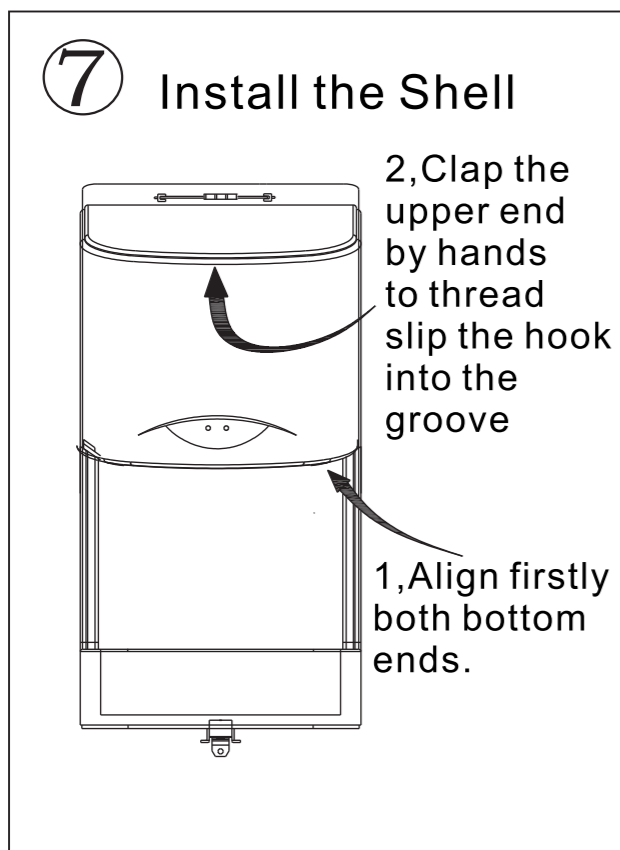
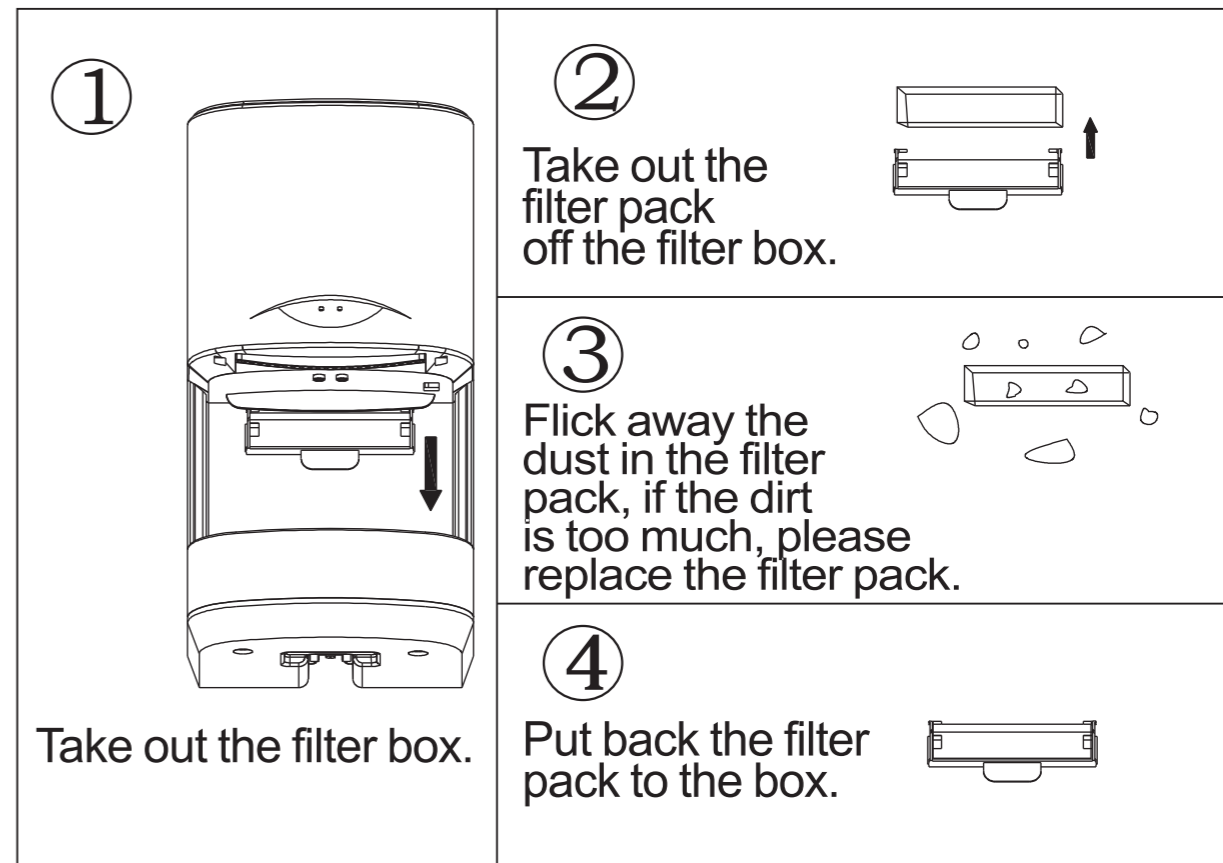




**Test:**

1. After switching on power, there will be about 3s natural movements which is not abnormal.
2. When hands place in its wind outlet around 12cm below, the warm wind will go out, and then retreat hands after 3s, the hands dryer will automatically stop running.

**Cleaning of Filter Pack:**



**Hints:**

If the air volume become smaller, the filter mesh may be blocked up by the dirt in the filter pack, please clean or replace the filter pack in time.

**Note:** Not wash the filter with water.

